



MESONTAGS

the smarter way of identification

Description & Features

UHF PC-1A10 is an EPC class 1 Gen2 passive RFID tag. it is designed to fix on metal surface based on FR-4 based material which make it durable to use in harsh environment. it can be used in countless applications like warehouse and logistic management, IT assets and automotive component tracking etc. customize printing of any logo and / or text can be done on it's surface.



UHF PC-1A10 TAG (Part No. : 31JEY9101)

www.mesontags.com

Electrical Characteristics

Communication ISO Protocol	ISO/IEC 18000-6C, EPC Class – 1 Gen2
Operating Frequency band	865 MHz or 915 MHz
Chip type	Alien Higgs-3 (Other upon request)
Memory Organization	<ul style="list-style-type: none"> • EPC–96 bits, extendible to 480bits • TID – 96 bits unalterable &unique • User memory – 512 bits • Access password – 32 bits • Kill password – 32 bits
Read Range	On metal – Up to 4m

Data retention	50 Years
Endurance cycle	100,000 Cycles

Physical Characteristics

Dimension	: 110 x 9.6 x 1.2mm
Hole size	: 3.0mm
Encasement	: FR-4
Weight	: 5.5 gm
Color	: Black
Quality Testing	: 100%

Environmental Characteristics

Ingress Protection	: IP65
Operating Temperature	: -25°C to +85°C
Storage Temperature	: -25°C to +85°C
Application	: On metal
Attachment/ mounting	: Adhesive / Screw / Rivet

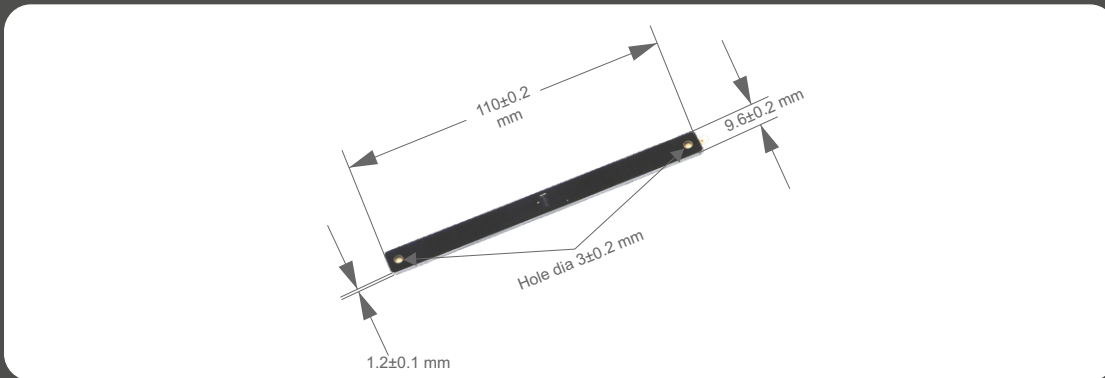
Chemical Characteristics

■ Resistance to salt water exposure	: Yes
■ Resistance to lubricant exposure	: Yes
■ Resistance to IPA & thinner	: Yes

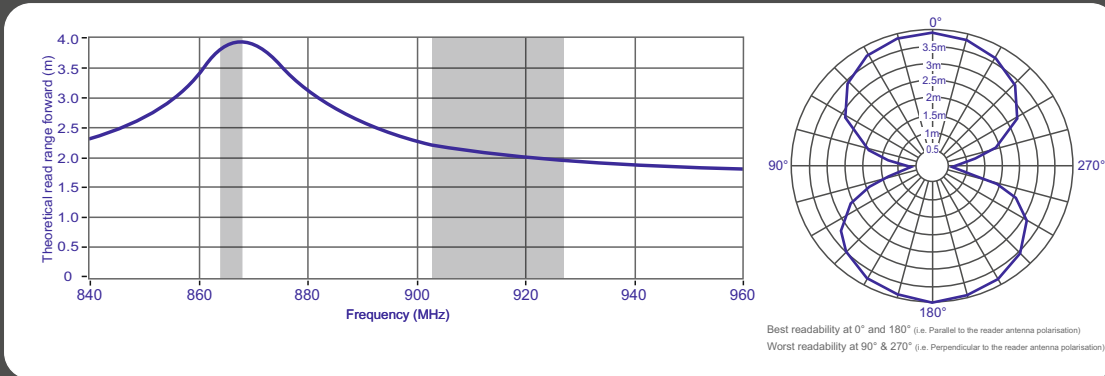
Additional Customization

■ Encoding	: Yes
■ Logo/Text/Barcode printing	: Yes

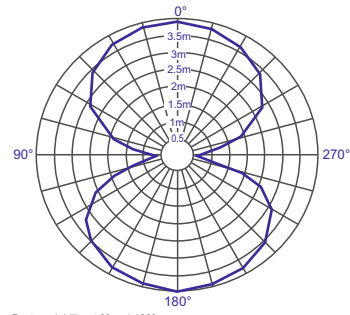
Dimensions



Frequency v/s read range graph



Orientation Readability



Ordering code and descriptions

31JEY9101

With ALN-Higgs-3_EU

31JFY9101

With ALN-Higgs-3_US